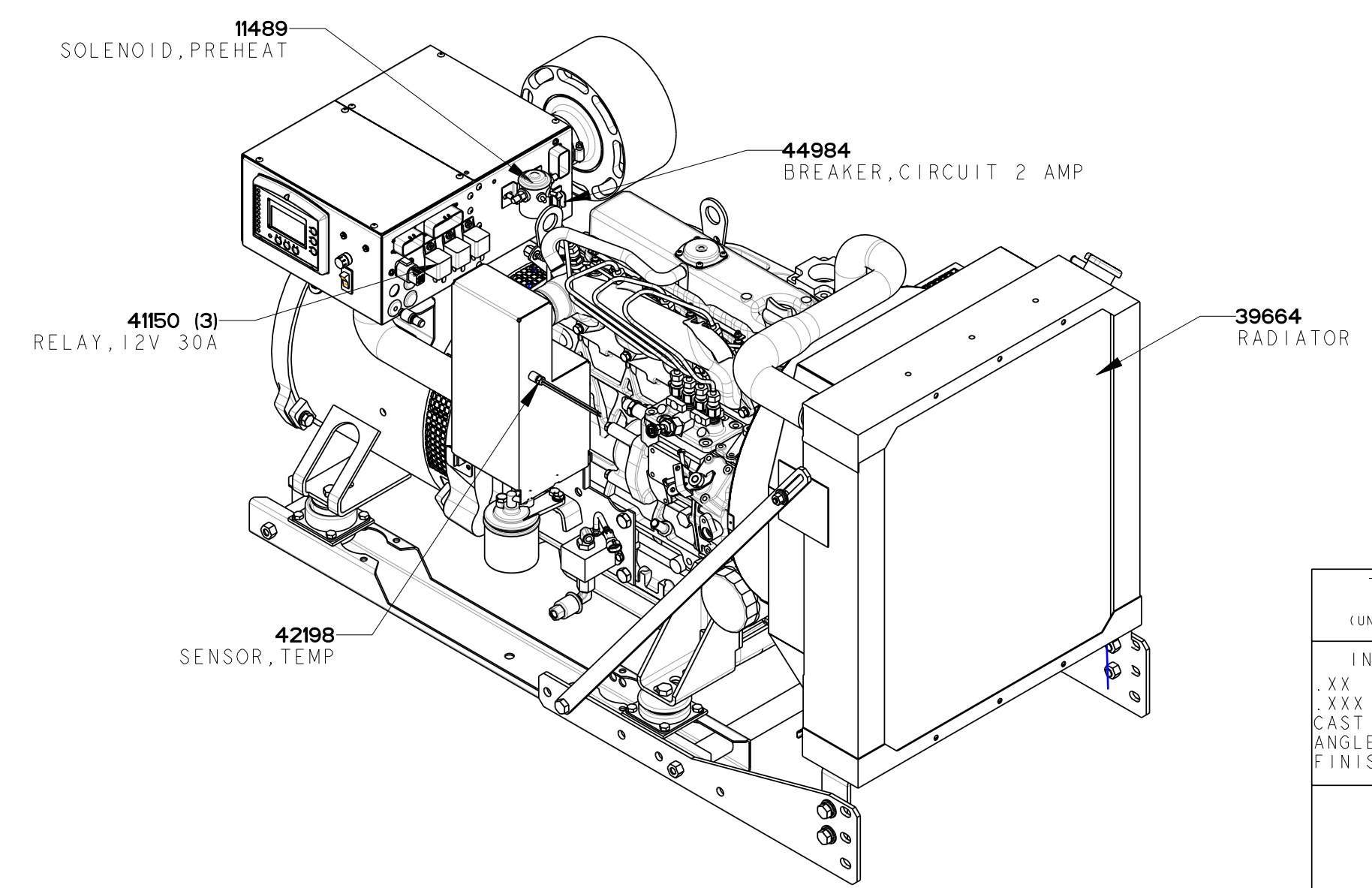
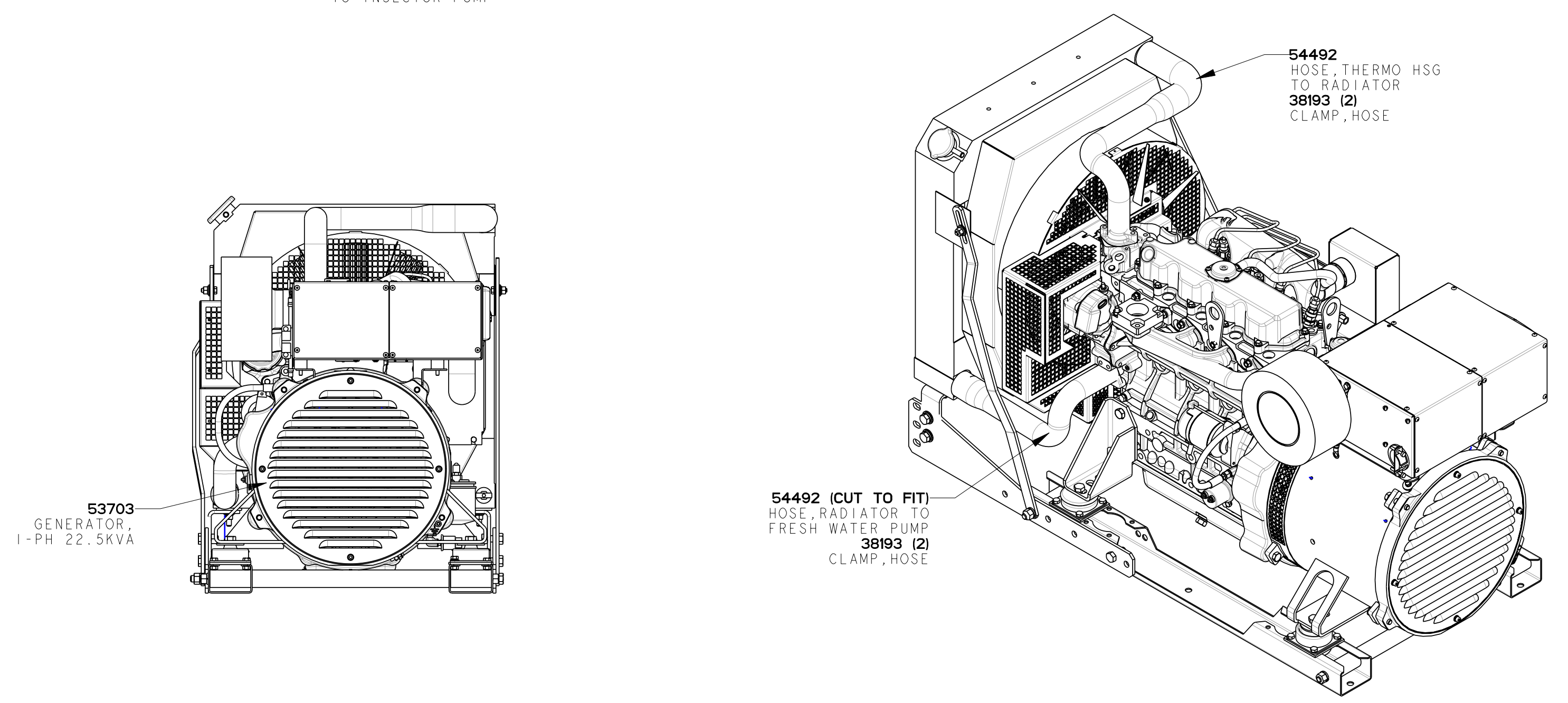
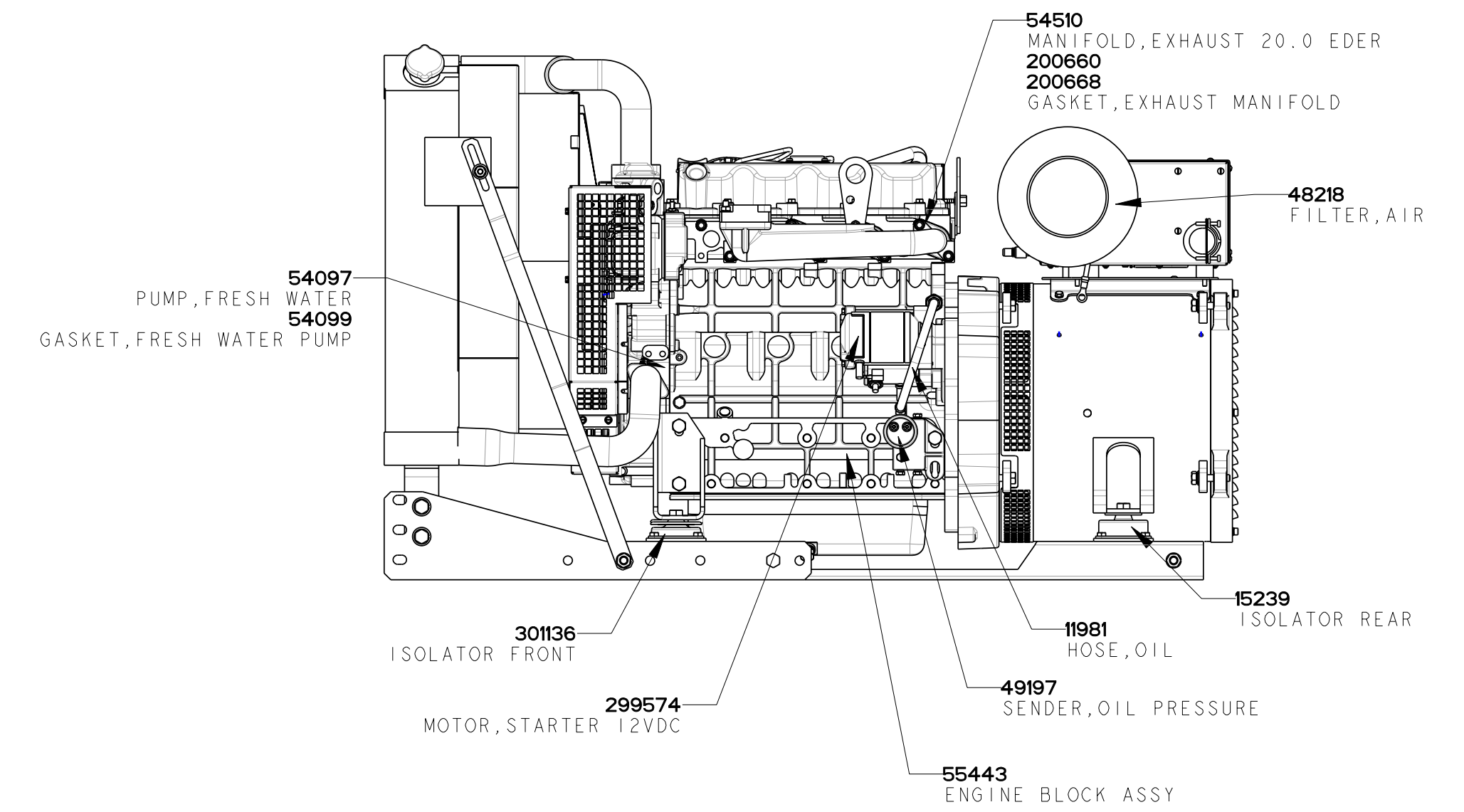
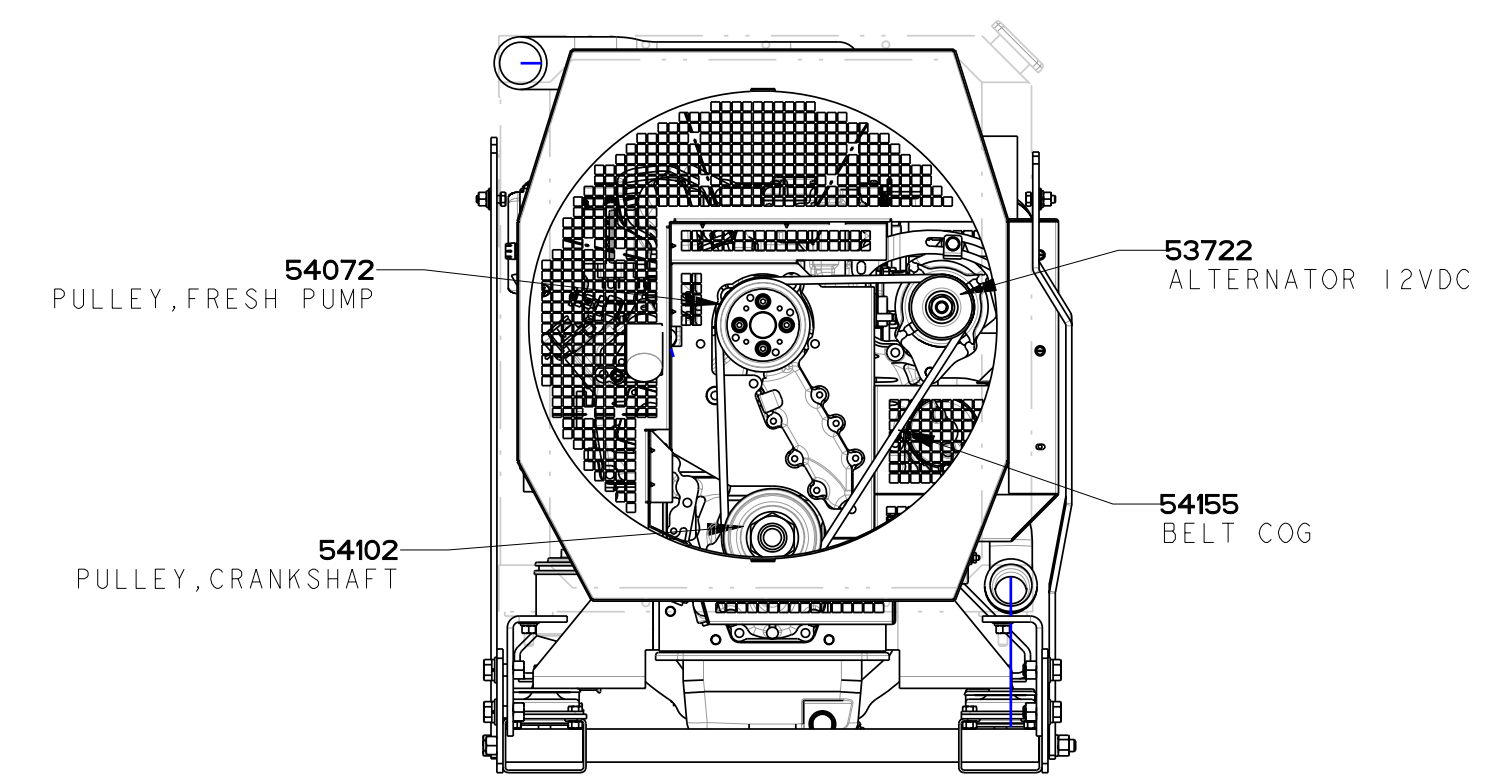
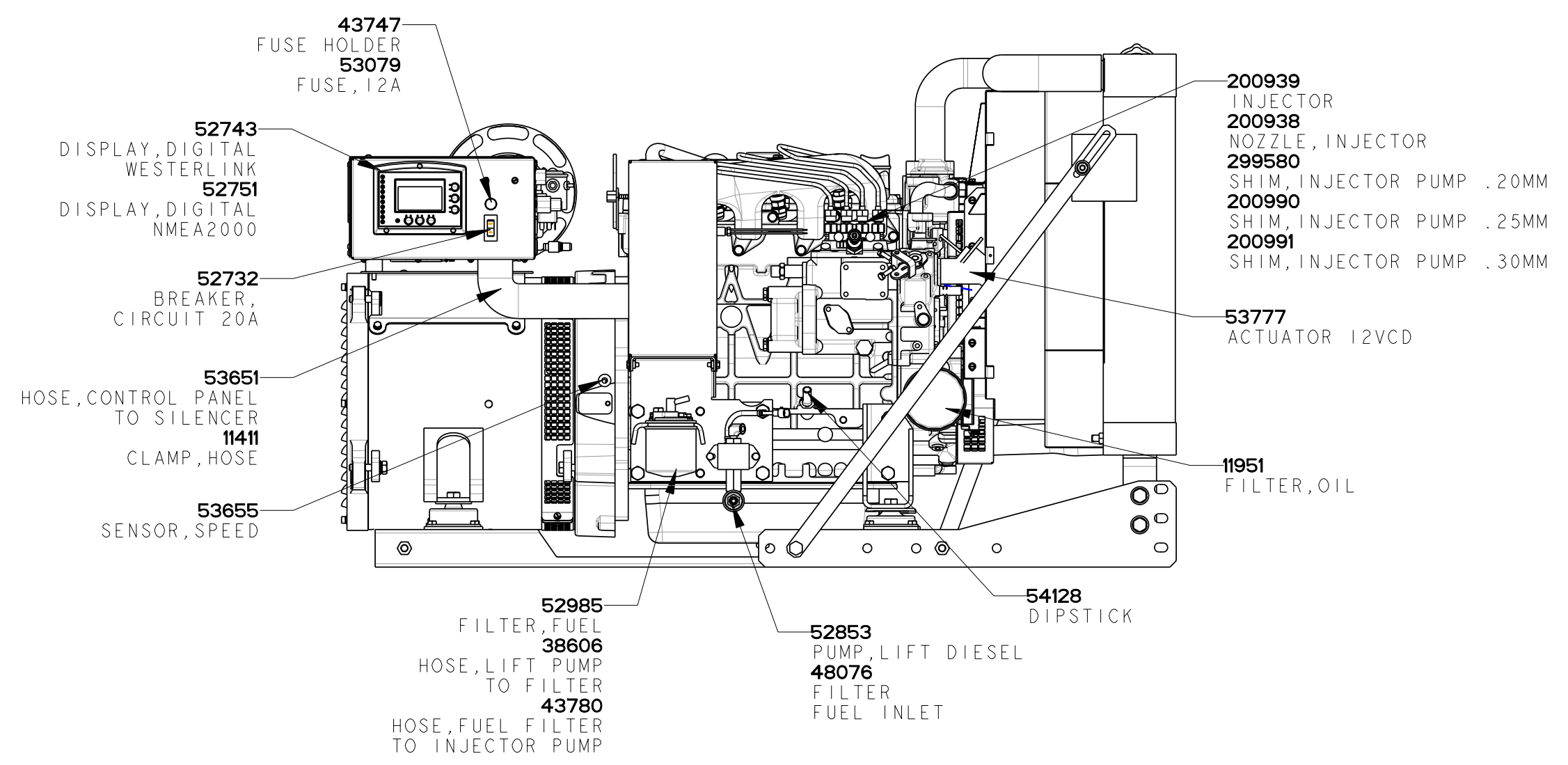


P/N	DESCRIPTION
54056	MANUAL, OPERATOR 20.0/26.0 EDER
55625	KIT A 20.0 EDER
55626	KIT B 20.0 EDER
55627	GASKET KIT, UPPER 20.0 EDER
55628	GASKET KIT, COMPLETE 20.0 EDER
54372	FILTER, REMOTE OIL



TOLERANCES (UNLESS OTHERWISE NOTED)		WESTERBEKE CORPORATION TAUNTON, MA. 02780			
INCHES	MILLIMETERS	TITLE PARTSLIST DRAWING 20.0 EDER			
.XX : .02	X : ± 1.0	DRAWN BY	MG	DATE	MATERIAL
.XXX : .005	.X : ± .5	APPROVED BY		04/Feb/13	
CAST : .03	.XX : ± .13	DATE			
ANGLES : 5°		SCALE	0.125	SIZE	DRAWING NUMBER
FINISH		SHT. 1 OF 1		D	54520
(WHEN APPLICABLE)					REV.